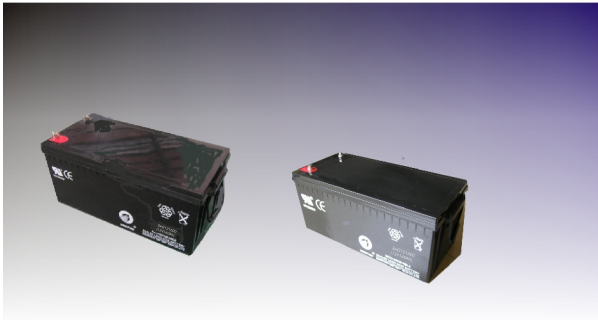
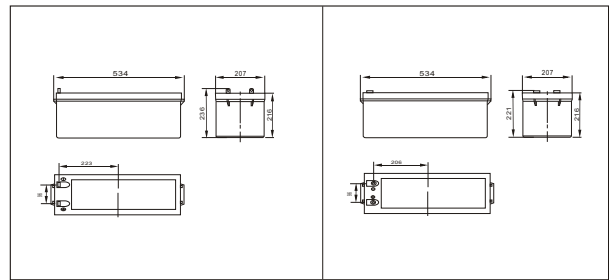




SWG121600(12V160AH)



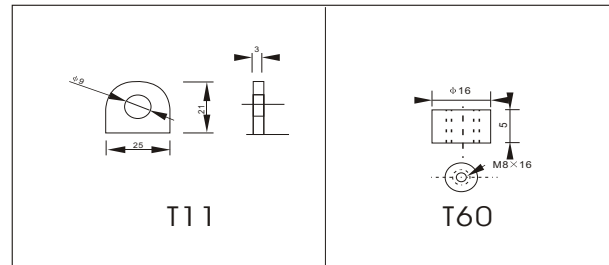
Outer dimensions (mm)



Specifications

| | | | |
|------------------------------|--------------|----------------------|----------------------|
| Nominal Voltage | | 12V | |
| Rated capacity (20hour rate) | | 160 Ah | |
| Dimensions | Total Height | T11 | 237 mm (9.33inches) |
| | | T60 | 221 mm (8.70 inches) |
| | Height | 216 mm (8.50 inches) | |
| | Length | 534 mm (21.1 inches) | |
| Width | | 209 mm (8.23 inches) | |
| Weight Approx | | 53 Kg (117 lbs) | |

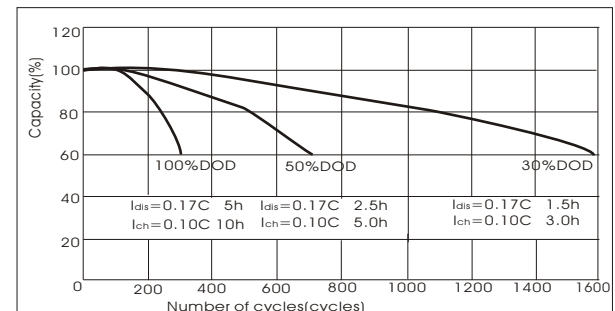
Terminal Type (mm)



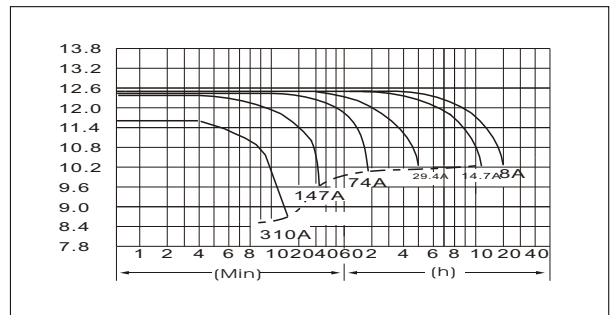
Characteristics

| | | |
|--|--|---|
| Capacity 25°C(77°F) | 20 hour rate(8.00A) 10 hour rate(14.7A) 5 hour rate(23.4A) 1 hour rate(88.2A) | 160 AH 147 AH 117 AH 88.2 AH |
| Internal Resistance | Full charged Battery at 25°C(77°F) | Approx 6.5 mΩ |
| Capacity affected by Temperature (10hour rate) | 40°C(104°F) | 102% |
| | 25°C(77°F) | 100% |
| | 0°C(32°F) | 85% |
| | -15°C(5°F) | 65% |
| Self-Discharge at 25°C(77°F) | Capacity after 3 month storage | 91% |
| | Capacity after 6 month storage | 82% |
| | Capacity after 12 month storage | 64% |
| Terminal | | T11, T60 |
| Charge (constant Voltage) | Cycle | Initial Charging Current less than 59 A Voltage 14.10-14.40V |
| | Float | Voltage 13.50-13.80V |

Curves of cycle life(25°C)



Discharge Curves 25°C(77°F)



Constant Current(Amp) and Constant Power(Watt) Discharge Table at 25°C(77°F)

| Time | | 5min | 10min | 15min | 30min | 1h | 2h | 3h | 4h | 5h | 8h | 10h | 20h |
|--------|---|------|-------|-------|-------|-----|-----|-------|-------|-------|-------|-------|------|
| 960V | A | 471 | 310 | 250 | 168 | 88 | 51 | 37.8 | 29.4 | 24.3 | 17.2 | 15.4 | 8.3 |
| | W | 4859 | 3313 | 2681 | 1802 | 953 | 565 | 420.5 | 330.8 | 275.8 | 197.1 | 178.3 | 96.9 |
| 1020V | A | 456 | 280 | 235 | 160 | 83 | 49 | 36.8 | 28.7 | 23.8 | 16.8 | 15.1 | 8.1 |
| | W | 4870 | 3125 | 2635 | 1799 | 938 | 566 | 425.6 | 333.3 | 277.6 | 196.1 | 177.9 | 94.8 |
| 1050V | A | 441 | 250 | 206 | 150 | 80 | 48 | 35.9 | 28.2 | 23.5 | 16.6 | 14.8 | 8.1 |
| | W | 4817 | 2848 | 2350 | 1726 | 929 | 556 | 417.9 | 330.2 | 275.7 | 195.3 | 175.7 | 95.6 |
| 1080V | A | 425 | 236 | 191 | 138 | 78 | 47 | 35.0 | 27.8 | 22.9 | 16.2 | 14.7 | 7.9 |
| | W | 4770 | 2721 | 2205 | 1601 | 903 | 547 | 412.5 | 328.1 | 271.1 | 191.6 | 174.7 | 94.5 |
| 11.10V | A | 411 | 221 | 177 | 123 | 75 | 46 | 33.8 | 27.0 | 22.3 | 15.7 | 14.0 | 7.5 |
| | W | 4659 | 2560 | 2057 | 1445 | 882 | 539 | 401.7 | 322.1 | 266.7 | 188.4 | 168.6 | 90.9 |